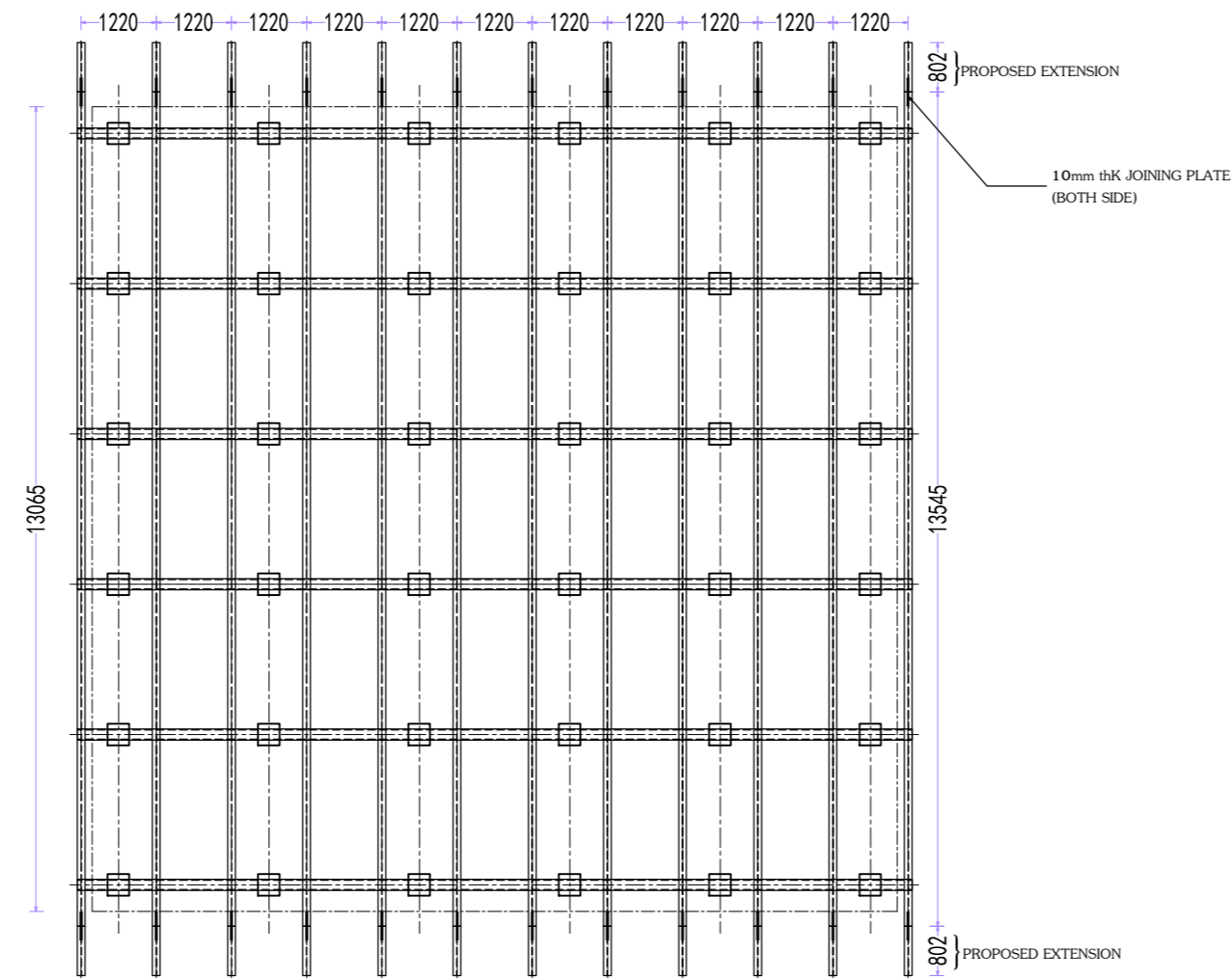
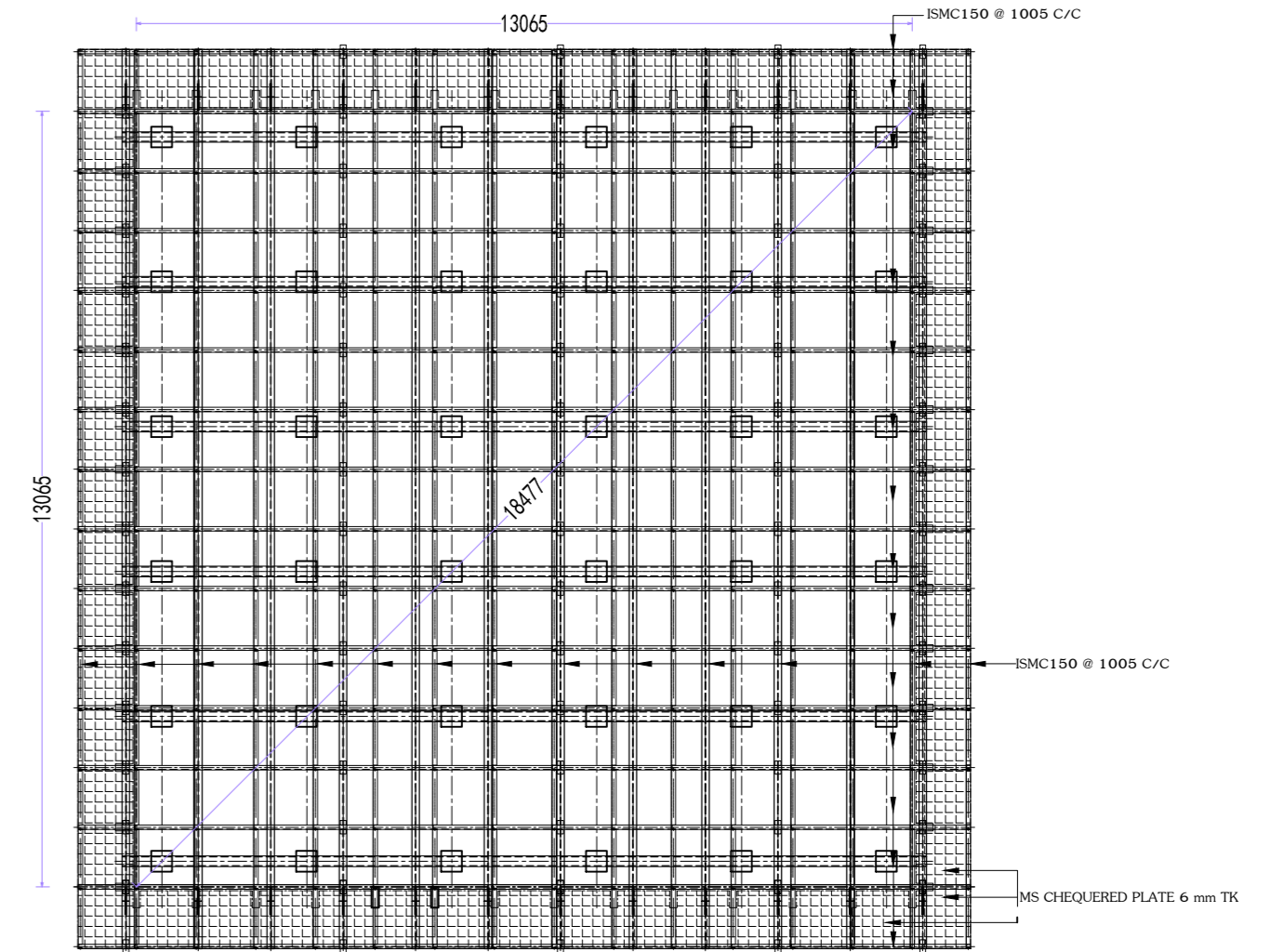


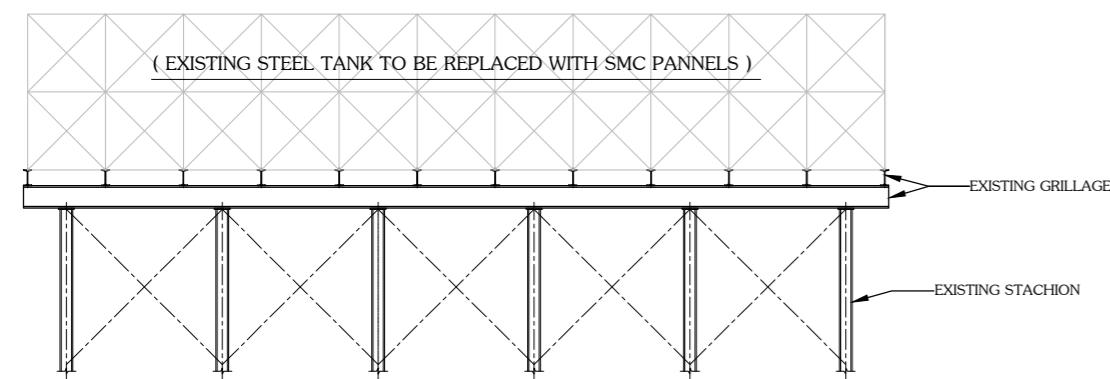
TOP VIEW OF EXISTING GRILLAGE



TOP VIEW OF EXISTING MODIFIED GRILLAGE

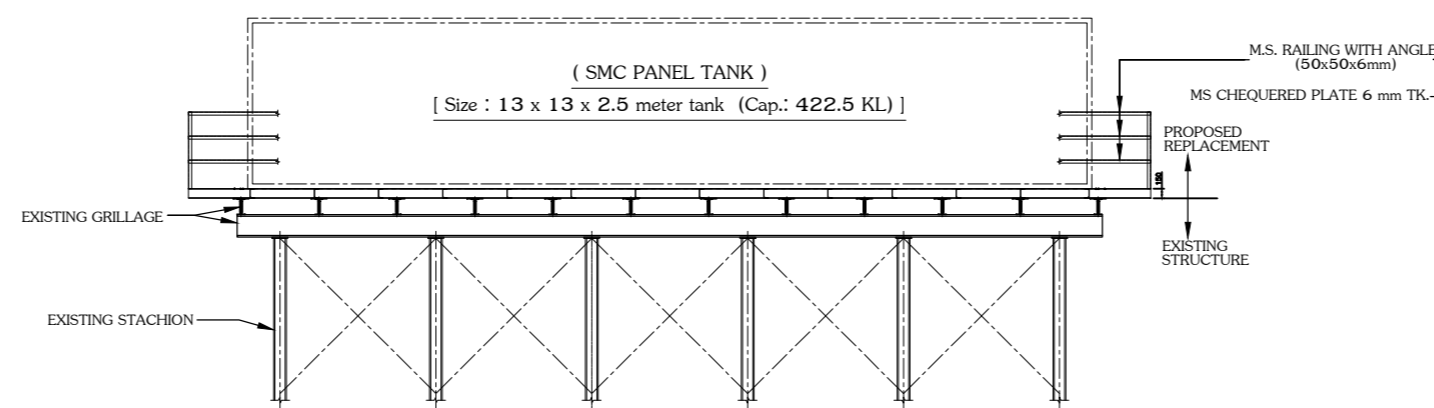


TOP VIEW OF EXISTING MODIFIED GRILLAGE WITH REQD GRILLAGE



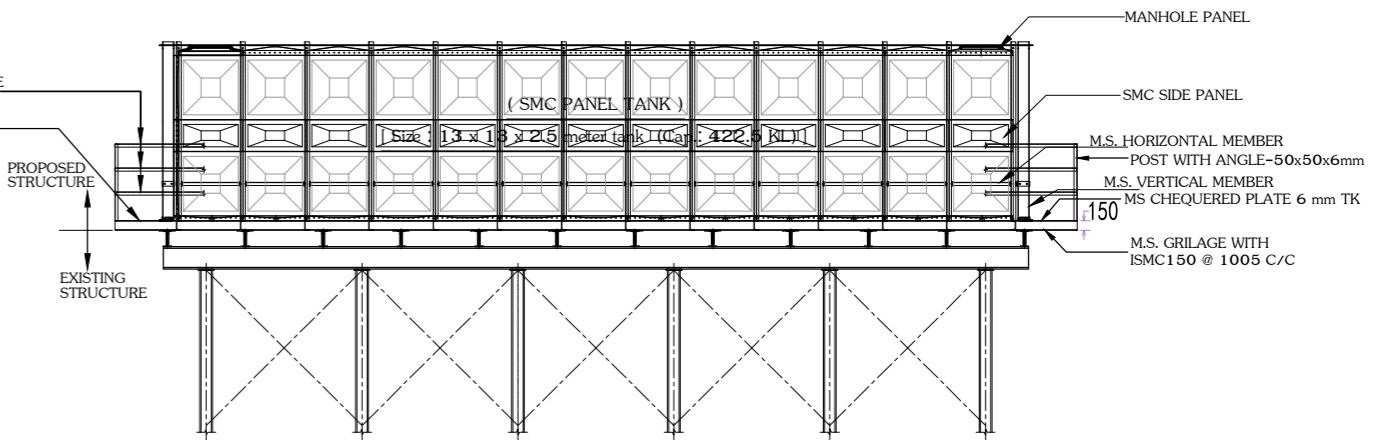
ELEVATION OF EXISTING STRUCTURE

DETAILS OF OVER HEAD TANK



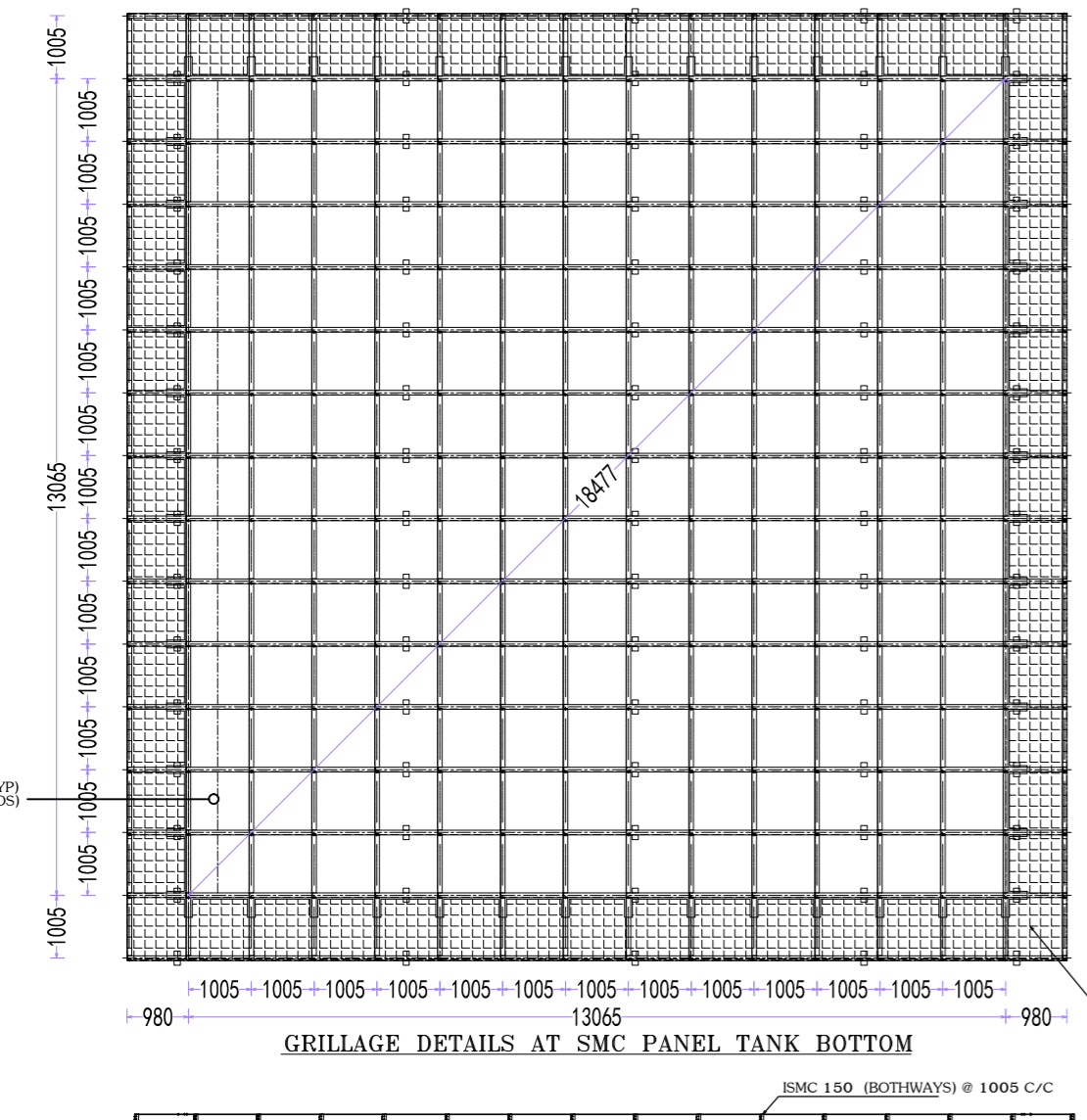
ELEVATION OF PROPOSED STRUCTURE

DETAILS OF OVER HEAD TANK

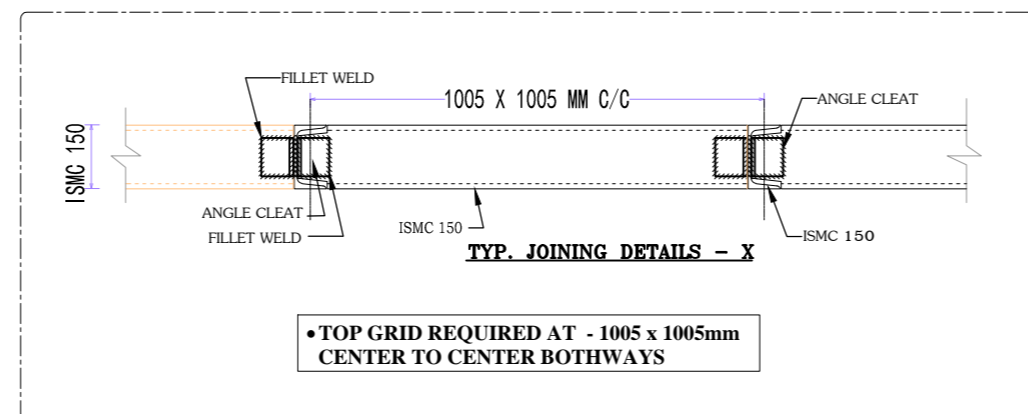
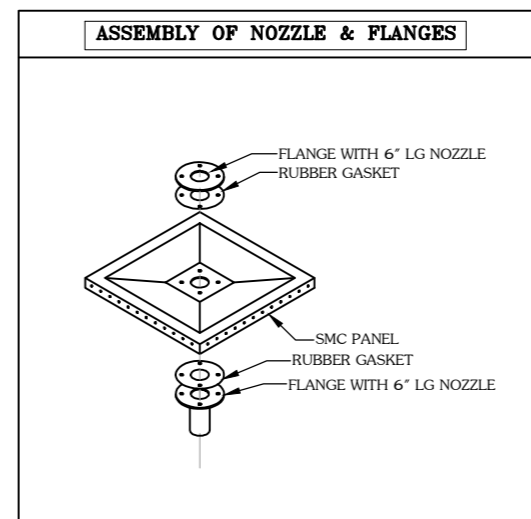
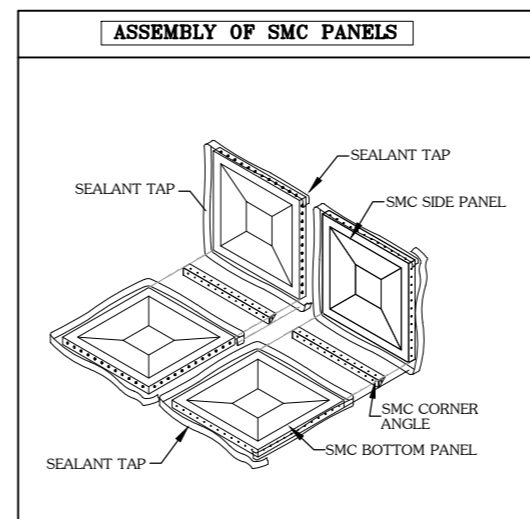
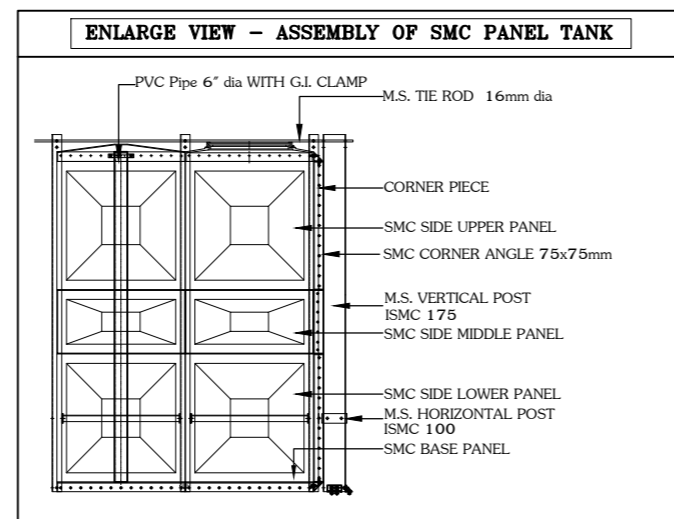


ELEVATION

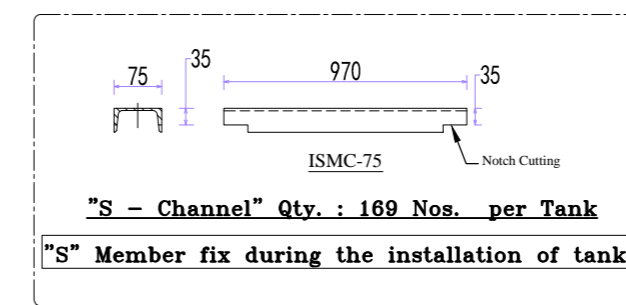
TOP VIEW OF EXISTING MODIFIED GRILLAGE WITH REQD GRILLAGE



GRILLAGE DETAILS AT SMC PANEL TANK BOTTOM



TOP GRID REQUIRED AT - 1005 x 1005mm CENTER TO CENTER BOTHWAYS



"S - Channel" Qty. : 169 Nos. per Tank

"S" Member fix during the installation of tank.

- NOTES :
- ALL DIMENSIONS ARE IN MILLIMETERS AND LEVELS ARE IN METERS.
  - ALL LEVELS ARE WITH RESPECT TO PORT CHART DATUM WHICH IS 0.582m BELOW MSL.
  - THE WELDING SHALL BE OF 6mm SIZE FILLET/ FILLET-BUTT WELD..
  - IN THE FABRICATION AND ERECTION OF STRUCTURAL MEMBERS, THE GENERAL PROVISIONS IN IS 800-2007 SHALL BE FOLLOWED.
  - DISCREPANCY/OMISSION/DOUBT, IF ANY, SHALL BE CLARIFIED WITH THE DESIGN OFFICE.
  - THICKNESS OF SMC PANELS SHALL BE BASED ON DESIGN TO BE SUBMITTED BY THE IMPLEMENTING AGENCY.
  - THIS DRAWING SHALL BE READ IN CONJUNCTION WITH RELEVANT DRAWINGS.

NO.	DATE	REVISIONS	A.E.E (PD)	E.E.(PD)	DY.CE (PD)	C.E.



RENOVATION OF STEEL OH WATER TANK AT MATTANCHERY WHARF USING SMC PANELS				DESIGNED	
GENERAL ARRANGEMENT DRAWING				DRAWN	PRASANTH
SCALE				CHECKED	
As shown	DRG. NO.	DATE	REV.	A.E.E (PD-III)	Sd/-
	9760 - 01 - 2019	23-09-2019	0	E.E. (CM-II)	Sd/-
				DY.CE (PD)	Sd/-
				C.E.	Sd/-